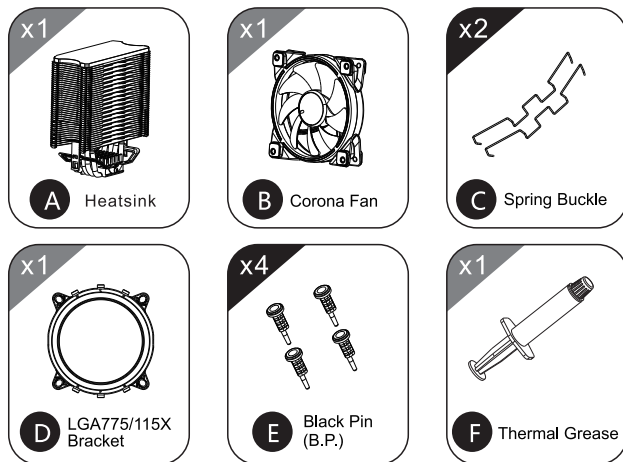


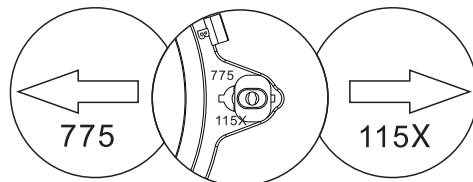
ECOOLER®

COMPONENTS



ATTENTION

1. Push the adjustable button on the bracket.
2. Button's left side is use for 775, the right side is use for 115X

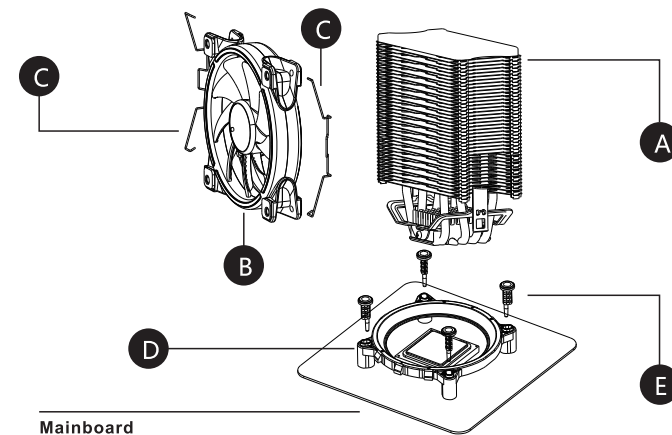


WARNING

- Be careful of the sharp fin edges to avoid injury
- Keep away from children

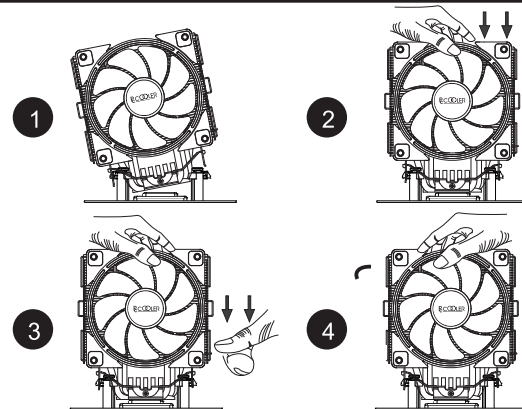
* The picture is only for reference, please make the object as the standard.

For Intel LGA775/115X



Mainboard

For AMD up to AM4



GI-X SERIES

INSTALLATION